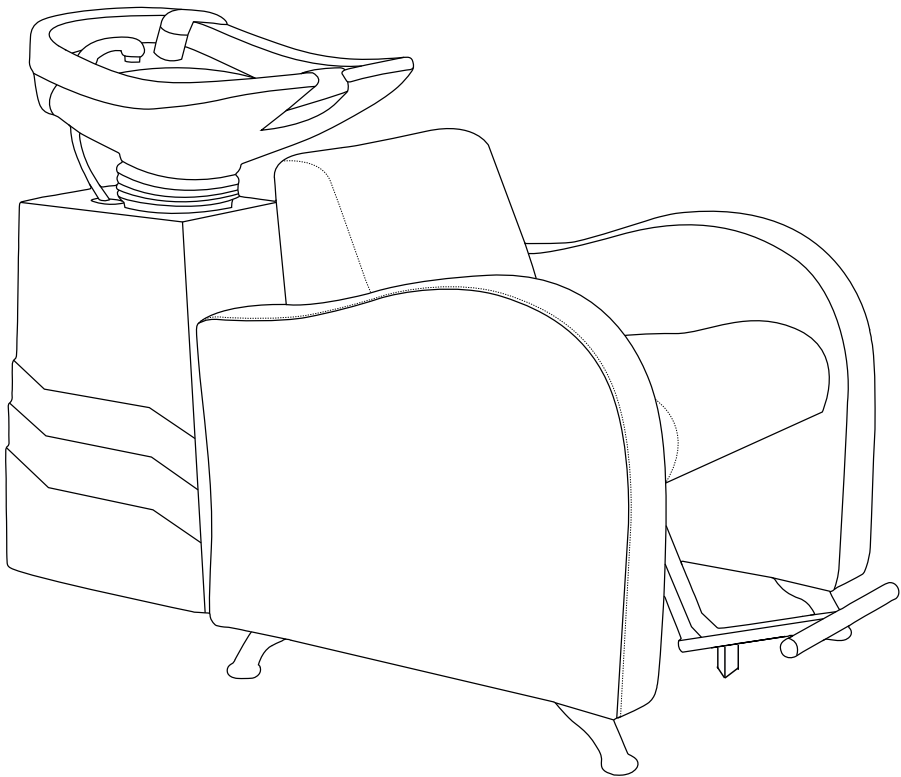


# claire washlounge

#1500

CLAIRE

---



# GET STARTED

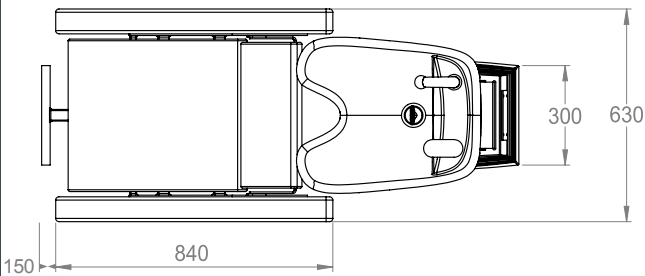
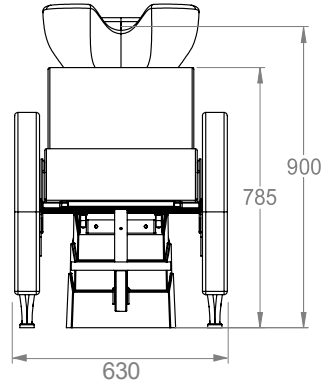
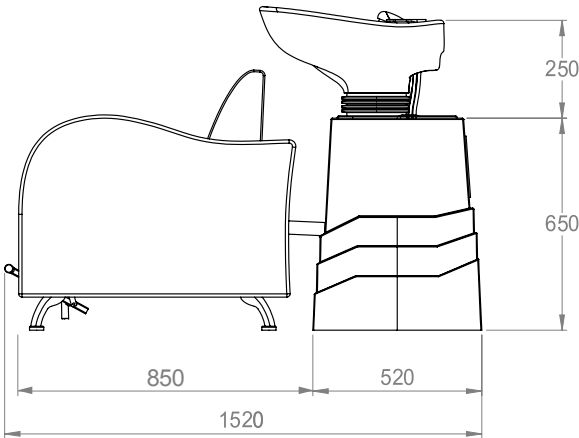
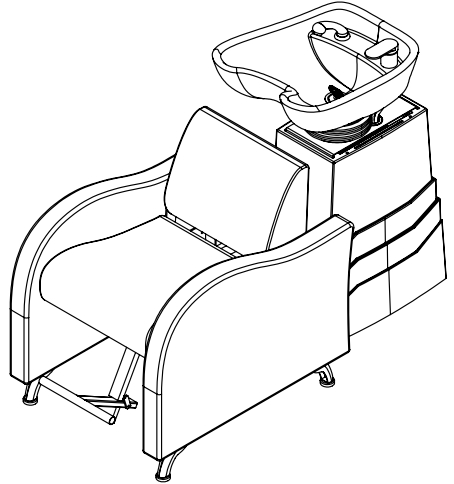
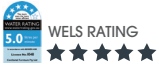
## CLAIRE

Reclining backrest wash lounge with footrest.  
Optional basin colour of black or white.

**Width:** 630mm

**Length:** 1400-1520mm(extended footrest)

**Basin Height:** 900mm



All measurements are in mm.



## IMPORTANT PLEASE READ THESE SAFETY INSTRUCTIONS

### GENERAL SAFETY

1. Read carefully and keep these instructions in a safe place.
2. Use this product only for its intended function and do not use attachments not recommended by the manufacturer.
3. Do not use outdoors.

### PLUMBING

1. This unit must be installed by a licensed plumber.



### IMPORTANT

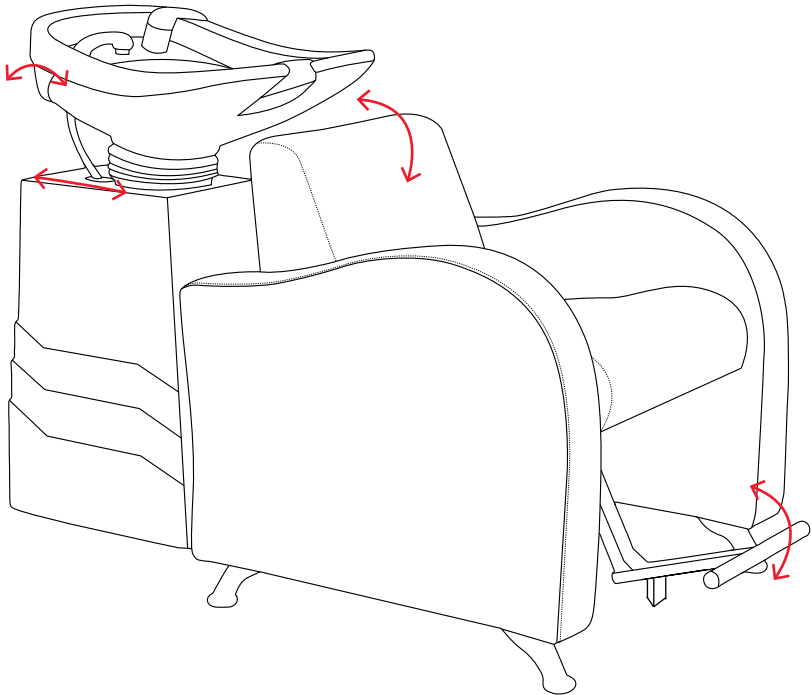
ALL PLUMBING MUST BE COMPLETED BY A LICENSED PLUMBER



### IMPORTANT

DO NOT ALLOW CHILDREN AROUND THE WASHLOUNGE WHEN IN USE

## FUNCTIONS



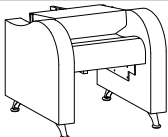

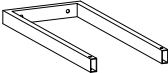

### FUNCTIONS





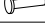
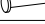



- Sit in chair and lay back, the back rest will recline with body weight.
- Use flick-down footrest, and stow in up position when not in use.



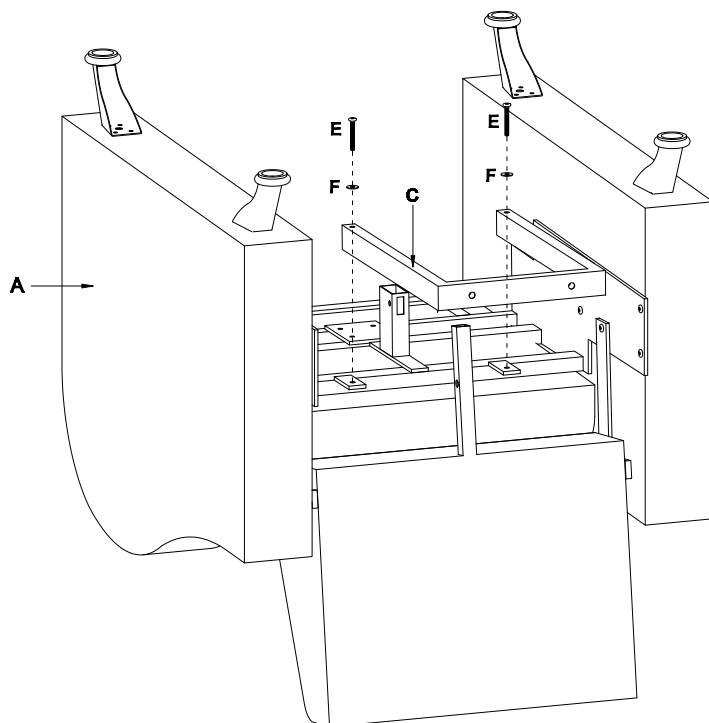
FOR BEST SUPPORT PLEASE ADVISE CLIENT TO SIT WELL BACK INTO THE SEAT.

# ASSEMBLY

No.	Part List	Q'ty
A		1
B		1
C		1
D		1

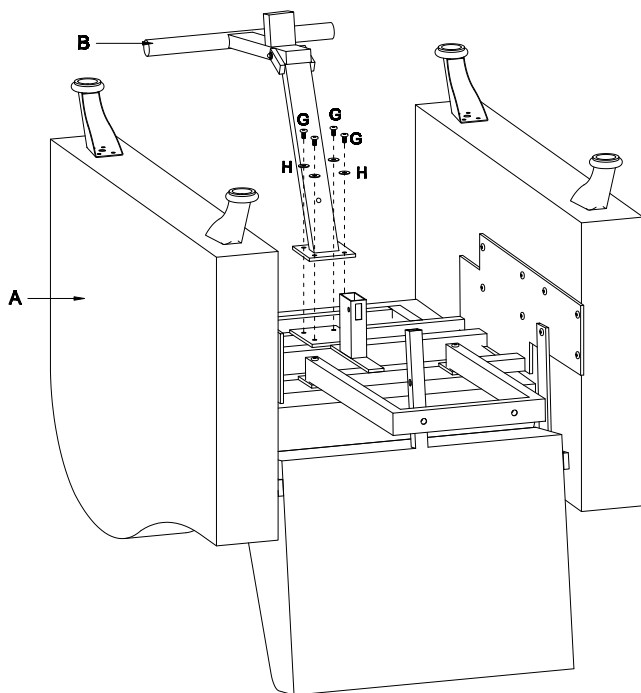
No.	Part List	Q'ty
E		2
F		2
G		4
H		4
I		1
J		1
K		2
L		1
M		1

## STEP 1

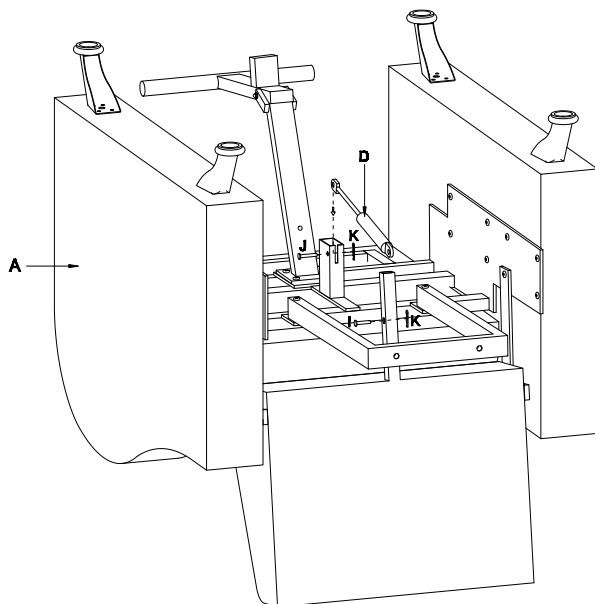


# ASSEMBLY

## STEP 2

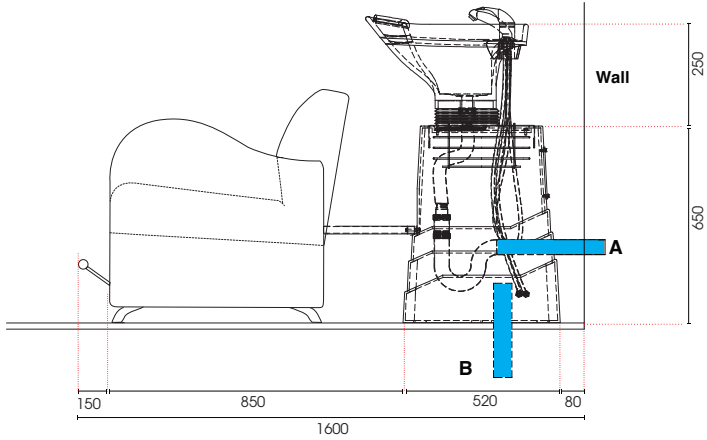


## STEP 3



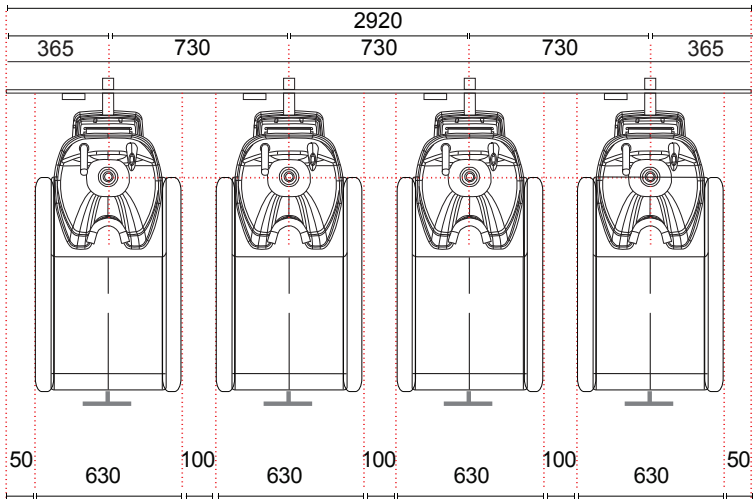
# POSITIONING: BASIN STAND OPTION

DIAGRAM A



If washing from rear of stand, add extra distance of 400mm from wall.

DIAGRAM B



If washing from side add 400mm between each chair.

All measurements are in mm.

## PLUMBING ACCESS OPTIONS

Determine the best way to connect plumbing

### OPTION 1: PLUMBING

From behind the basin stand connect plumbing to the wall. From the back of the stand, plumbing can be installed to a maximum height of 400mm from the floor.

### OPTION 2: PLUMBING

From under the basin stand connect plumbing to the floor.



## IMPORTANT

ALL PLUMBING MUST BE COMPLETED  
BY A LICENSED PLUMBER

# POSITIONING: BENCH KIT OPTION

## WASHING FROM BEHIND BENCH CONFIGURATION

DIAGRAM C

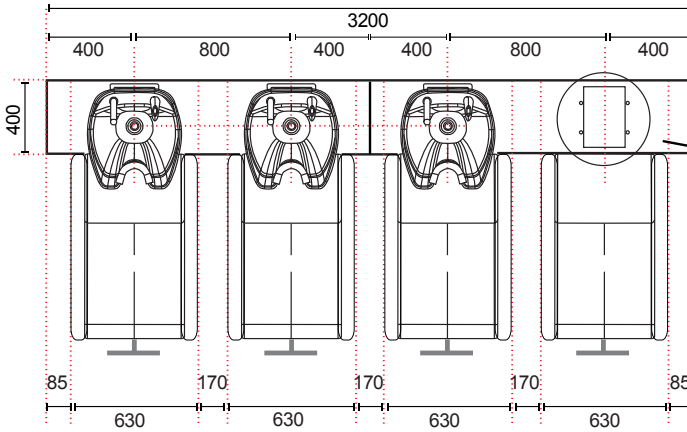
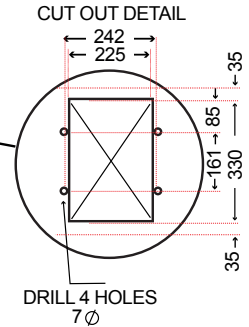
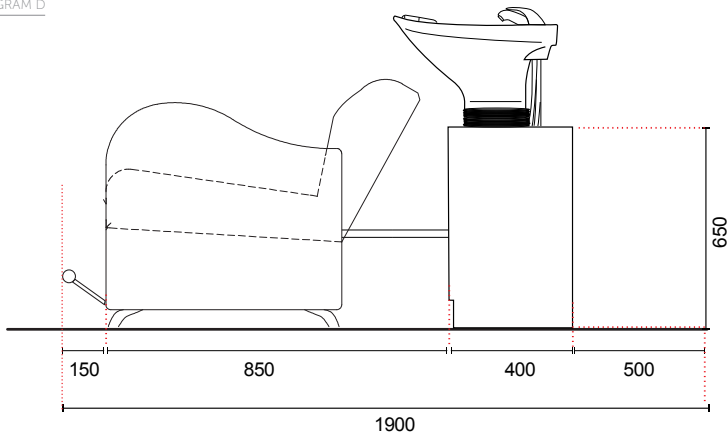


DIAGRAM E



If washing from side add 400mm between each chair

DIAGRAM D



All measurements are in mm.

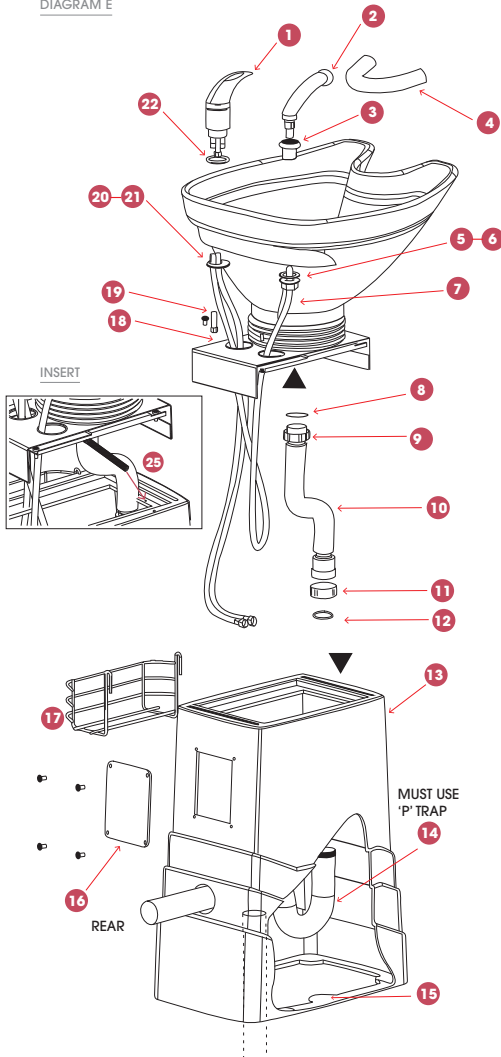
### BASIN BENCH KIT

Choose this option if a bench kit is purchased. Basin Bench Kit is available in 2 or 3. For a 4 Position Bench, please see 4 Position Diagram, where 2 x Basin Bench Doubles are installed next to each other. Basin Bench Kit is recommended for situations requiring washing from behind when the plumbing is not through the floor.

For more information about the product go to [www.comfortel.com.au](http://www.comfortel.com.au).

# INSTALLATION & ASSEMBLY: BASIN STAND OPTION

DIAGRAM E



## BEFORE INSTALLING YOU SHOULD CONSIDER THE FOLLOWING:

Allow for the necessary room around the unit for free movement.

- If installing against a wall, a minimum distance of 80mm between wall and bottom back of stand is required to allow free backward movement of basin.
- If plumbing location is in wall (see Diagram A), drill a hole in rear wall of stand. For neatness of finish it is preferable to bring water and waste into the stand in the same hole.
- If plumbing location is on floor (see Diagram A), place stand over.

## STAND ASSEMBLY

1. Position stand as required. If plumbing location is in wall drill hole in rear of stand; if plumbing location is on the floor place stand over. (P trap not supplied).
2. Basin stand MUST be secured to the floor. Use middle lugs (Fasteners not supplied). Rear Access Panel may be removed to facilitate access.

## BASIN ASSEMBLY

3. Install Flick Mixer using O-ring, plastic and metal washers & (Long Nut) and Shower Head using the Showerhose Basin Collar, O-ring, Foam Washer & Plastic Nut as indicated.
4. Place Flick Mixer and Shower Head Hoses through the holes in the Vinyl Strap.
5. Connect Flexible Waste Pipe to Plug and Waste which is already installed making use of the with Flat Seal and fitted Flange.

## STAND-BASIN ASSEMBLY PLUMBING CONNECTION

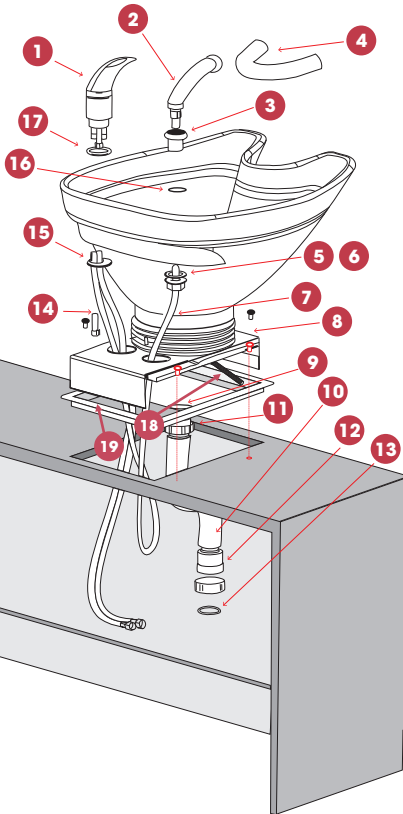
6. Connect Flexible Waste Pipe to P trap (not supplied) making use of Seal and Flange.
7. Using four screws found on top of Stand, fix assembled Basin to stand making use of holes at end of rail channels.
8. Connect hot and cold (1/2" connection) water braided hoses to respective supplies.
9. **Connect Basin Spring** which is already connected to the tilt and slide plate to the hole in the stand at the top left corner. (See insert)
10. Place both ends of Vinyl Cover into the slots provided on front and back of Stand.
11. Please attach Comfortneck to the basin.
12. Fit Shampoo Tray (optional extra) to the side of your choice.

## BASIN ASSEMBLY

- |                           |                                  |
|---------------------------|----------------------------------|
| 1 Flick Mixer             | 13 Stand                         |
| 2 Showerhead              | 14 P trap (not supplied)         |
| 3 Showerhose basin collar | 15 Middle lugs                   |
| 4 Comfortneck             | 16 Rear Access Panel             |
| 5 Foam washers            | 17 Shampoo tray (optional extra) |
| 6 Plastic nut             | 18 Vinyl strap                   |
| 7 Showerhead hose         | 19 Long nut                      |
| 8 Flat seal               | 20 Plastic washers               |
| 9 Fitted flange           | 21 Metal washers                 |
| 10 Flexible waste pipe    | 22 O-ring                        |
| 11 Flange                 | 23 Basin Spring                  |
| 12 Seal                   |                                  |



## INSTALLATION & ASSEMBLY: BASIN



### BENCH FIXING DETAIL

1. Position Bench as required.
2. Bench must be secured to the floor, or wall.  
(Fasteners not provided)
3. Seal base – seal the base of the bench inside and outside with silicone.

### BASIN ASSEMBLY

4. Install Flick Mixer using the O-ring, plastic and metal washers & Long Nut, and Showerhead using the Showerhose Basin Collar, O-ring, Foam Washer and Plastic Nut as indicated.
5. Place Flick Mixer and Showerhead Hoses through the holes in the Vinyl Strap.
6. Connect Flexible Waste Pipe to Plug and Waste which is already installed making use of end with Flat Seal and fitted flange.

### BENCH KIT ASSEMBLY

7. Connect hot and cold (1/2" connection) water braided hoses to respective supplies.
8. Connect Flexible Waste Pipe (supplied) to P Trap (not supplied) making use of Seal and Flange.
9. Connect Basin Spring which is already connected to the tilt and slide plate to the hole in the Bench Kit Frame at the front left corner.
10. Place both ends of Vinyl Cover into the slots provided on front and back of Bench Kit Frame.

### BASIN ASSEMBLY

- |                           |                            |
|---------------------------|----------------------------|
| 1 Flick Mixer             | 11 Fitted flange           |
| 2 Showerhead              | 12 Flange                  |
| 3 Showerhose Basin Collar | 13 Seal                    |
| 4 Comfortneck             | 14 Long nut                |
| 5 Foam Washer             | 15 Plastic & Metal Washers |
| 6 Plastic Nut             | 16 O-ring                  |
| 7 Showerhead hose         | 17 O-ring                  |
| 8 Vinyl Strap             | 18 Basin spring            |
| 9 Flat seal               | 19 Bench Kit Frame         |
| 10 Flexible Waste Pipe    |                            |

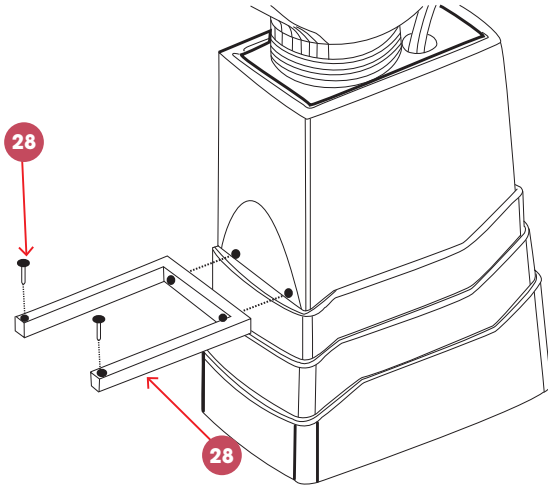


### IMPORTANT

ALL PLUMBING MUST BE COMPLETED  
BY A LICENSED PLUMBER

## INSTALLATION & ASSEMBLY: CHAIR TO BASIN STAND

DIAGRAM G **28** Connector

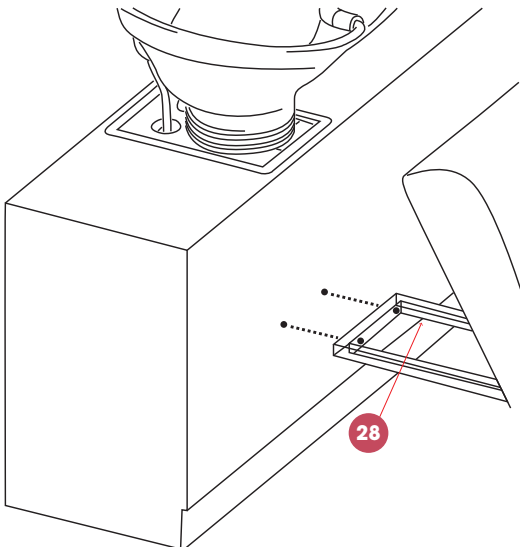


### INSTALL CHAIR TO BASIN STAND

- Fix Connector to stand front using two bolts and nuts provided.

## INSTALLATION & ASSEMBLY: CHAIR TO BASIN BENCH

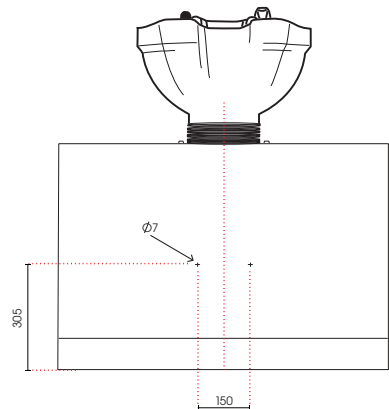
DIAGRAM H **28** Connector



### INSTALL CHAIR TO BASIN BENCH

- Fix Connector to Bench front using two bolts and nuts provided. Refer to sketch for drilling details.
- It is recommended to install these brackets before installing bench for easy access.

DIAGRAM I



## CLEANING

### UPHOLSTERY

- All upholstery needs some care; good housekeeping will help to prolong the life of any upholstered products.
- Avoid extreme temperatures. Extreme cold can make your vinyl prone to cracking, while extreme heat can cause permanent stretching.
- Avoid exposing to direct sunlight for prolonged periods of time.

### ALWAYS FOLLOW THE CLEANING INSTRUCTIONS

- Clean regularly (weekly) to remove body oils which cause hardening
- To clean use a sponge which has been moistened in warm soapy water
- After cleaning with a sponge, dry with a soft, clean cloth
- Stubborn grime may require gentle scrubbing with a soft brush

### Do not use:

- acetone
- furniture polishes
- bleach
- detergent
- abrasive cleaners
- steel wool

Damage caused by any improper treatment of this product is not covered by the product warranty.

## MAINTENANCE

A periodic inspection of all components and fasteners should be made to ensure that your Comfortel Product is structurally intact and functioning properly.

Damaged and broken parts should be replaced and loose fasteners tightened.

All maintenance to be carried out by a suitably qualified tradesperson.

### HOW TO CHANGE A SHOWERHEAD

Please view our online video on how to change a showerhead:

**[www.youtube.com/user/Comfortel](https://www.youtube.com/user/Comfortel)**

# WARRANTY PERIOD

PERIOD AND DESCRIPTION	PRODUCTS
12 MONTHS PARTS & LABOR	All products
2 YEARS PARTS ONLY	All products excluding small electrical appliances
3 YEARS PARTS ONLY	Linak electric actuators
5 YEARS PARTS ONLY	Taps cartridge, ceramic basins

TERMS AND CONDITIONS

For more information about our warranty, please contact us at [comfortel.com.au](http://comfortel.com.au).

# comfortel

[comfortel.com.au](http://comfortel.com.au)

## PRODUCT CODE

#1500 CLAIRE WASH LOUNGE

Revision Date: 05.07.2018

©Comfortel Furniture 1997-2018. All rights are reserved.  
No part of this document may be photocopied,  
reproduced or translated to another language without  
written consent of Comfortel Furniture Pty Ltd.

The information contained in this document is subject to change without notice and should not be construed as a commitment by Comfortel Furniture Pty Ltd.

Comfortel Furniture Pty Ltd. assumes no responsibility for any errors that may appear in this document nor does it make expressed or implied warranty of any kind with regard to this material, including, but not limited to, the implied warranties of merchantability and fitness for a particular purpose.

Comfortel Furniture Pty Ltd. shall not be liable for incidental or consequential damages in connection with or arising out of the use of this document and the program material.

## **PLEASE RETAIN THIS INFORMATION FOR FUTURE REFERENCE**

For more information about our products and services, contact us at [comfortel.com.au](http://comfortel.com.au)

**PURCHASE DATE**

**INVOICE NUMBER**

**NOTE YOUR PURCHASE DATE & INVOICE NUMBER FOR FUTURE REFERENCE**