

4 in 1 with luma mag lamp multifunction facial system

#5427 4 IN 1 WITH LUMA MAG LAMP

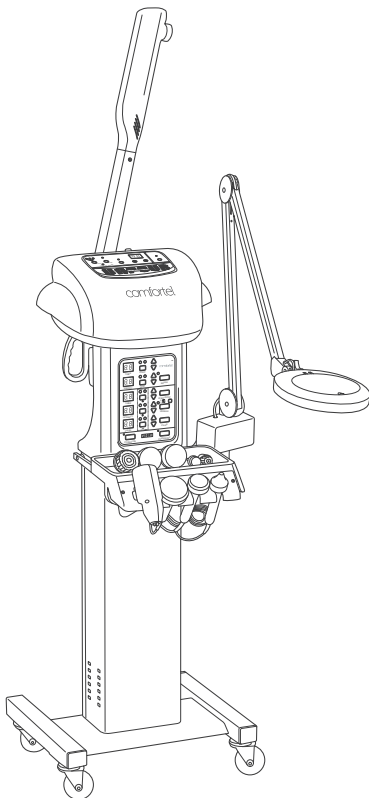


TABLE OF CONTENTS

Safety Instructions	2
Get Started	2
Installation & Assembly	3
Operation: Power	
Operation: Main Control Unit	4

FUNCTIONS

Magnifying Lamp	5
Operation	
Cleaning & Maintenance	
Precautions	
Facial Steamer	6-7
Operation	
Cleaning & Maintenance	
Treatment Method	
Precautions	
Brush Machine	8-9
Operation	
Cleaning & Maintenance	
Treatment Method	
Precautions	
Ultrasonic	10-11
Operation	
Cleaning & Maintenance	
Treatment Method	
Precautions	

IMPORTANT PLEASE READ THESE SAFETY INSTRUCTIONS

GENERAL SAFETY

1. Read carefully and keep these instructions in a safe place.
2. Use this product only for its intended function and do not use attachments not recommended by the manufacturer.
3. Do not use outdoors.

PRECAUTIONS

1. The lamp should never be placed too close to the skin, or touching the skin.
2. Cover the client's eyes before positioning the lamp over the face.

CAUTION: WHEN ADJUSTING THE LAMP TAKE CARE NOT TO GET THE ELECTRICAL CORD TANGLED AROUND THE CLAMP OR LAMP STEM.

ELECTRICAL APPLIANCES

1. All GPO's must be installed by a qualified Electrician in accordance with local electrical standards.
2. DO NOT allow children to operate this product.
3. Turn the power off and remove the plug when not in use or when cleaning.
4. Do not let the power cord get damaged in any way.
5. Keep the power cord away from heat sources.
6. Do not use an extension cord unless the cord complies with local electrical safety standards.
7. Periodically inspect the power cord for signs of damage.
8. Do not operate any electrical item with a damaged power cord.

GET STARTED

4 IN 1 WITH LUMA MAG LAMP

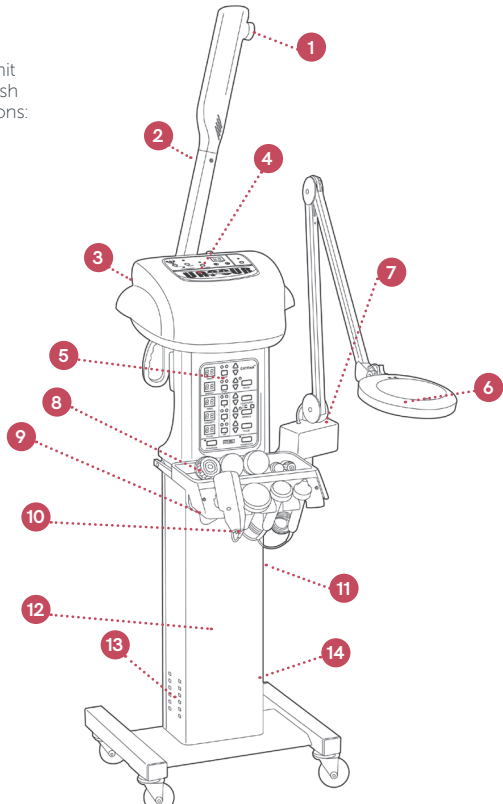
Multi-function facial system

The Comfortel 4 in 1 is a compact multi-function unit on castors. It features a digital control panel with push button adjustments. It includes the following functions:

- Magnifying Lamp
- Facial Steamer
- Brush Machine
- Ultrasonic

PARTS

1. Facial Steamer vapor nozzle
2. Facial Steamer vapor tube
3. Upper machine casing
4. Facial Steamer control panel
5. Main control panel
6. Magnifying Lamp
7. Magnifying Lamp support
8. Accessory tray
9. Support shelf for accessory tray
10. Connection sockets for accessories
11. On/Off switch
12. Main column of unit
13. Heat vent
14. Fuse

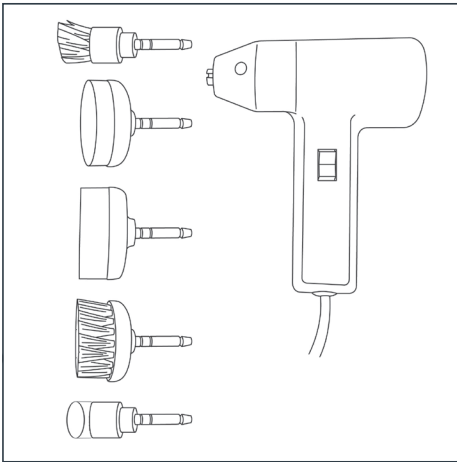


INSTALLATION & ASSEMBLY

MACHINE ASSEMBLY

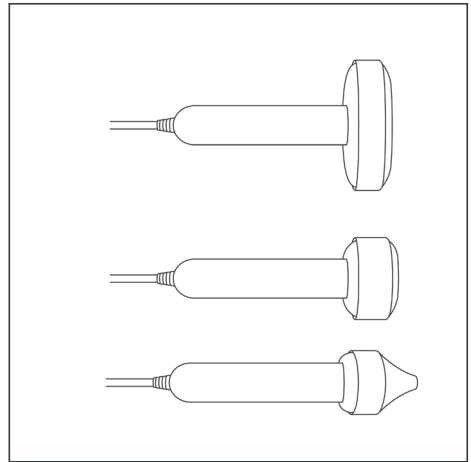
1. Remove main column (12) of unit from packaging and stand upright.
2. Fit Facial Steamer and upper machine casing (3) onto the column by inserting pole into the holder. Plug the power cord into one of the 3 identical power points in the back of the unit.
3. Fit the Magnifying Lamp (6) into the support provided (7). Plug the power cord into the second of the 3 identical power points in the back of the unit. The third of these points will not be needed.
4. Plug the grey power cord into the other separate point in the back of the unit, and into the wall power point.
5. Remove the silver screws from the base of the accessory tray (8). Fit the tray into position on the support shelf (9) and replace screws to secure position.

FITTING THE ACCESSORIES:



1. Brush

Carefully line up the brush power cord plug with the socket marked "Brush" under the accessory tray. Push the connection into place, being careful not to damage the connection pins. Sit the brush handpiece in one of the holders on the accessory tray. There are 5 different brush heads provided for use with the brush handpiece.



2. Ultrasonic

The 3 silver Ultrasonic electrode applicators should be connected underneath accessory tray. Push in and turn silver locking ring clockwise.

Connect: Cone shaped (Eye) electrode in L/H connection

Small flat (Face) electrode in centre connection

Large flat (Body) electrode in R/H connection

There will be a corresponding eye, face or body diagram underneath the connection plug. They must be plugged in to the right connections or the controls will not work.



CAUTION: DO NOT USE LAMP IF FLEXIBLE CORD IS DAMAGED

ANY REPAIRS TO LIGHT MUST BE CONDUCTED BY A QUALIFIED ELECTRICIAN.
TO REPAIR FLEXIBLE CORD, USE TWO CORE SHEATHED CABLE ONLY.

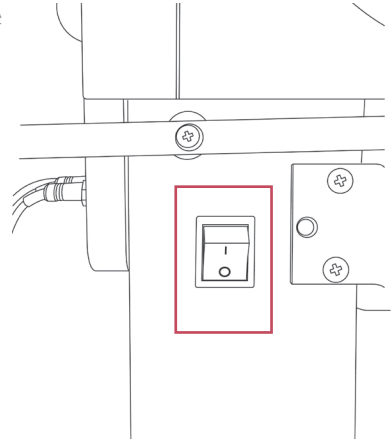
OPERATION: POWER

POWER

Turning on:

- (Diagram A) Turn on the red switch at the side of the unit. Red light at "Power Off" button will flash (lower right corner of control panel). The Facial Steamer and Magnifying Lamp may now be used.
- (Diagram B #1) Press "Power On" button at lower left corner of control panel. The Brush and Ultrasonic functions will now be available for use. Please note that only the Brush OR the Ultrasonic function may be used at one time. You must turn one function off after use, in order to use the other.

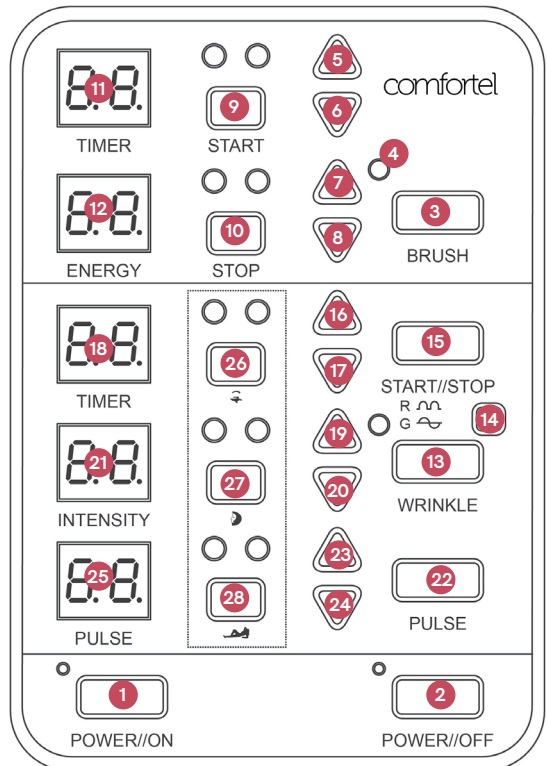
DIAGRAM A



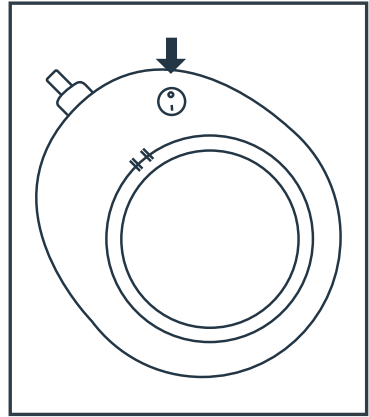
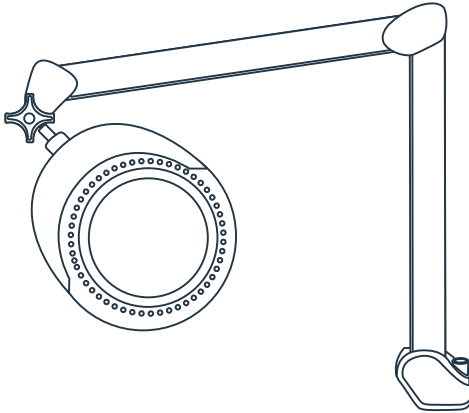
OPERATION: MAIN CONTROL PANEL

DIAGRAM B

- Control panel Power On button
- Control panel Power Off button
- Brush selector
- Brush indicator light
- Brush Time increase
- Brush Time decrease
- Brush Energy increase
- Brush Energy decrease
- Brush Start button
- Brush Stop button
- Brush Time display
- Brush Energy display
- Ultrasonic (Wrinkle) selector
- Ultrasonic pulse/constant wave selector
- Ultrasonic Start/Stop control
- Ultrasonic Time increase
- Ultrasonic Time decrease
- Ultrasonic Time display
- Ultrasonic Intensity increase
- Ultrasonic Intensity decrease
- Ultrasonic Intensity display
- Ultrasonic Pulse selector
- Ultrasonic Pulse increase
- Ultrasonic Pulse decrease
- Ultrasonic Pulse display
- Ultrasonic Eye electrode selector
- Ultrasonic Face electrode selector
- Ultrasonic Body electrode selector



OPERATION LUMA MAG LAMP



OPERATION

1. Turn the lamp on using the switch on the top of the lamp casing.
2. Position the lamp over the area to be examined
3. Adjust the distance and position of the lamp as required
4. Turn the lamp off when it is no longer required.

CLEANING AND MAINTENANCE

BEFORE CLEANING MAKE SURE THE LAMP IS DISCONNECTED FROM THE ELECTRICAL SUPPLY

The unit requires no special maintenance. If it becomes heavily soiled it can be wiped with a damp cloth containing a mild soap solution. Do not use large quantities of liquid as it may enter shade housing and affect electrical safety.

DO NOT USE ALCOHOL, SOLVENTS OR ABRASIVE CLEANERS, AS THEY WILL DAMAGE THE PLASTIC HOUSING.

IMPORTANT To clean the lens use a cotton cloth with warm soapy water or glass cleaner. Do not use abrasive cleaners, as they will damage the lens.

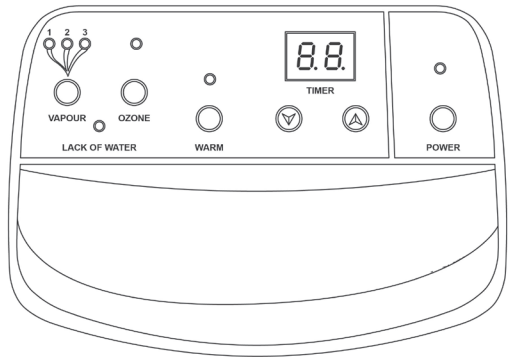
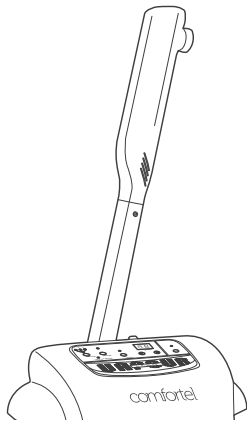
PRECAUTIONS LUMA MAG LAMP

LENS SAFETY

CAUTION: Never leave the lens unattended in direct sunlight or where light can shine through. This constitutes a fire hazard. When the magnifying lamp is not in use, please use the lens cover supplied.

- The lamp should never be placed too close to the skin, or touching the skin.
- Cover the client's eyes with cotton pads before positioning the lamp over the face.

OPERATION FACIAL STEAMER



- Make sure the water jar is filled to the highest red indicator line. The steamer will stop working and a warning light will illuminate on the top control panel if the water level drops to the lowest indicator line. The steamer will resume working once the water level is restored. Do not overfill the jar as this may cause it to boil over or spit when in use.
- It is essential that only distilled water should be used in the steamer. Other water may damage the machine components and will void the warranty.
- The water jar should be firmly fitted into the cradle, with the top of the jar fitted into the rubber seal and metal cradle ring.
- It is not necessary to remove the water jar to fill it. You may fill it from the top of the machine. Lift the flap to pour water in.
- Push the "Power" button on the steamer control panel. A red light will come on and numbers will appear in the "Timer" window.
- Use the up or down arrows to set the desired operation time. Account for the fact that it will take 8-9 minutes for the steam vapor to start after the machine is turned on. Make sure that sufficient time is set. The Steamer will stop working if the set time runs out.
- Push the "Vapor" button to start the steamer.
- Once the steam vapor starts, you may choose Level 1, 2 or 3 of the vapor intensity by pushing the "Vapor" button again. A green, orange or red light will indicate which level is in use.
- The angle of the steam nozzle may be adjusted by rotating the vapor tube head.
- If Ozone is desired, wait until the steam vapor has started to come out, then push the "Ozone" button. A red light will illuminate on the control panel, and the ozone smell may be noticed. Never activate the Ozone function without the steam vapor.
- To turn the Ozone off, press the "Ozone" button again. The light will go off.
- To turn the vapor off, press the "Vapor" button repeatedly until the lights go out.
- If the steam will be needed again soon, you may select the "Warm" function. This keeps the water warm (approx 60 degrees) to cut down re-heating time. Set the timer for the length of stand-by time required. A red light will indicate that the steamer is in Warming mode.
- When you have finished with the Steamer, turn off by pushing the "Power" button.

PRECAUTIONS FACIAL STEAMER

- Make sure that the steam nozzle is pointed away from the client while the water is boiling, in case any malfunction occurs, or the steamer spits any water. Once the steam vapor begins, the nozzle may then be directed towards the client.
- Protect the client's eyes and any sensitive or vascular areas with cotton pads.
- Never attempt to remove the water jar while it is hot.
- Ozone is highly flammable and must not be used around any flame or combustible substances.
- Keep the steam vapor at a comfortable distance from the client's skin. Never apply the steam too close as the high temperature may cause a burn.
- Never move the unit while the steamer is in operation.

OPERATION FACIAL STEAMER

CLEANING AND MAINTENANCE:

1. The external surfaces of the steamer may be cleaned with a soft cloth and soapy water or a mild non-abrasive surface cleaning agent.
2. The water reservoir jar should be emptied and thoroughly cleaned with soapy water once a week.
3. If water has discolored or left a residue inside the jar, the jar should be filled with a white vinegar and water solution (1 part vinegar to 4 parts water) and left to soak before washing out. It is essential that the vinegar solution must be completely rinsed out of the jar before the steamer is used. If any residue remains the steamer may spit water when it is next used, posing an injury risk to the client.
4. If the heating element needs cleaning, the jar filled with vinegar and water may be fitted to its usual position and left to soak overnight. This will remove any build-up of mineral scale from the element. Please ensure that all vinegar residue is completely removed from the element and the jar before using the steamer, as stated above.
5. When re-fitting the jar, be sure that the rubber sealer ring is in place, and the jar is fitted firmly to the cradle. Failure to do so may cause the water to overflow when boiling, or interfere with the steam direction.
6. If the Ozone function does not work, the UV lamp may need to be replaced. The estimated life expectancy of each lamp is around 2000 hours.
7. Replacement of the UV lamp must never be attempted by the user. This must be done by a qualified Electrician or approved Electrical Repairer. The replacement lamp specifications are as follows: Model number T5, 4W

TREATMENT METHODS FACIAL STEAMER

The facial steamer uses an electric heating element to boil the water in the reservoir jar in order to produce steam. The steam vapor is passed through to the nozzle where it can be directed onto the client's skin. The steamer has an Ozone function which passes the steam through an Ultraviolet light. This has an antibacterial action on the skin, which may be beneficial for acne and blemished skins.

BENEFITS:

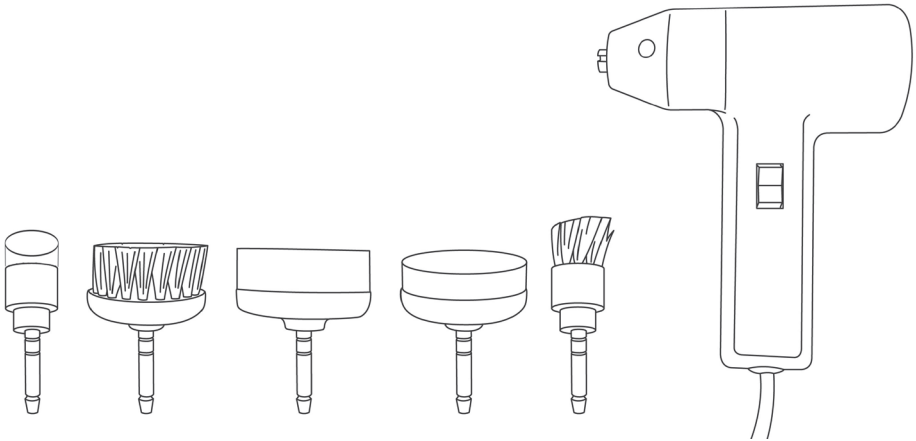
Steaming prepares the skin for further treatment, and has the following benefits:

- Softens, warms and hydrates the skin
- Dilates the follicle openings (opens the pores)
- Softens oily deposits (comedones, milia etc) to allow easier extraction
- Stimulates the sudoriferous (sweat) glands to encourage the elimination of waste products
- Softens dead skin cells, aiding desquamation
- Stimulates sebaceous activity- beneficial for dry skins
- Increases circulation which improves oxygen and nutrient supply to the skin, and removes waste products
- Increased hydration, warmth and permeability of the skin may enhance the penetration of facial treatment products

CONTRAINDICATIONS FACIAL STEAMER

- Recently waxed skin, or skin that has received any kind of heat treatment in the last 48 hours.
- Sunburned skin.
- Rosacea
- Highly vascular skins (skins with a lot of redness or broken capillaries).
- Asthmatic clients may experience breathing difficulties while under the steam vapor. It may be necessary to elevate their head slightly and position the steam further away.
- Ozone has some reported potential for being a respiratory irritant. Use of the Ozone function should be minimized or eliminated altogether for clients who have a history of asthma or any respiratory problems.

OPERATION BRUSH MACHINE



OPERATION

- Fit the chosen brush head attachment into the handpiece. It will click into place.
- Push "Brush" button in top section of control panel. The red button will light up.
- A number will appear in "Timer" display window. Use the up or down arrow buttons to adjust to the desired operation time. Make sure sufficient time is set. The Brush will stop working if the set time runs out.
- The "Energy" number displayed shows the intensity and speed of the brush rotation. 1 is the lowest speed, 8 is the highest. Use the up or down arrow buttons to adjust this.
- The orange and green lights initially show "Stop" mode when the unit is not in use.
- Push the "Start" button. The orange and green lights will indicate that the machine is in Start mode, and ready for use.
- Use the black switch on the handpiece to start the brush operation.
- Adjust the "Energy" intensity as necessary.
- The brush can be turned off using the black button on the handpiece or the "Stop" button on the control panel.

CLEANING AND MAINTENANCE

- Wash the brushes thoroughly with hot soapy water after use
- Soak in disinfecting solution eg: 2% Glutaraldehyde (use as per manufacturer's instructions) or Sodium Hypochlorite (bleach) solution (diluted 1:10 in water)
- Rinse well
- Allow to air dry
- Store in UV cabinet or closed container
- It may be useful to have several sets of brush heads so that each set may be disinfected and dried properly before being re-used

TREATMENT METHODS BRUSH MACHINE

- The brush heads should be moistened with water before use.
- The brush heads can be used with any milk or cream cleanser, foaming cleanser, or exfoliating scrub. Apply the chosen product to the skin generously. (Add water as necessary)
- Place cotton pads over the client's eyes to protect from product splashes.
- Use slower rotation speeds for sensitive or reactive skins. Faster speeds can be used on thicker or sluggish, congested skins.
- There is no need to apply pressure, or rotate the handpiece yourself as the machine does this for you!
- Do not allow the moist cleansing medium to dry out. Keep the skin well lubricated while using the brush.
- Use the brush for only 1-2 minutes on sensitive skins. Other skin types may benefit from longer application, depending on the product used.

BENEFITS OF THE BRUSH MACHINE:

Brush cleansing reinforces the manual cleanse traditionally done at the start of a facial treatment. The rotating brush achieves a deeper cleansing action, and has an added exfoliating benefit by buffing away dead surface skin cells. This can help to prevent the build-up of blockages (comedones and blemishes) in the follicles (pores).

The brush machine improves skin color and texture, and stimulates circulation and cellular regeneration.

The large brush head is used on the décolleté and the larger areas of the face (forehead, cheeks, jawline) and neck. It can also be used for cleansing the body prior to body treatments. The small head is to get in around the smaller nose and chin areas. The sponge head is less stimulating for use on sensitive skins. The plaster head has an intense exfoliating action, and should only be used on a coarse, thickened skin. This head, or the hard rubber head, can be used to buff off a gommage-style facial peel. Many operators find these heads effective for exfoliating hardened skin on body areas.

CONTRAINDICATIONS BRUSH MACHINE

CONTRAINDICATIONS

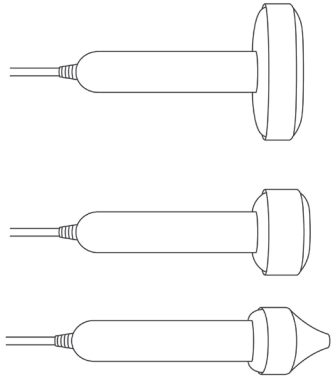
- Acne- may cause irritation and spread the infection.
- Highly sensitive or vascular skins- too stimulating
- Herpes Simplex (cold sore) infection- highly contagious, may spread to other areas of the clients face, as well as risk of spreading to therapist and other clients. No facial treatment at all should be given to this client!
- Any open skin, bruises, cuts, abrasions, injury
- Recent scar tissue (leave for minimum 6-8 weeks)

OPERATION ULTRASONIC

1. Make sure the 3 silver electrodes are correctly attached under the accessory tray. There will be a corresponding eye, face or body diagram underneath each connection plug. They must be plugged in to the right connections or the controls will not work. Remove plastic covers from electrodes before use.
2. Push Wrinkle switch on R/H side of panel – A number will appear in Timer panel on L/H side and also a number in Intensity panel just below Timer. At the same time a small light on R/H side of panel just above Wrinkle switch will glow either green or red. This indicates the type of wave delivered, either constant or pulsed. By pushing this button it can be changed to red or green (see 9 below).

R = Red (This must be chosen to select the Pulse mode.)

G = Green (This selects the constant mode)



3. The machine is now ready to operate.
4. Push Start/Stop button at top R/H side and a small red light will start to flash beside number in Timer panel. The machine is now working. To increase / decrease number on Timer push arrow buttons beside Time in middle of panel. Make sure there is sufficient time set in the Time panel. The Ultrasonic will stop working if the set time runs out. The small red light must be flashing beside number on Timer panel, machine is not working if red light is not flashing.
5. To increase/decrease number in Intensity panel push arrow button beside Intensity.
6. One of the 3 centre rectangular push buttons will be highlighted with orange and green lights when an electrode is selected as follows:
 - a. Top button selects small cone shaped electrode for the eye area
 - b. Centre button selects smaller round flat electrode for the face
 - c. Lower button selects larger round flat electrode for the body

By pushing one of the buttons the lights will appear above the switch. Please ensure that the appropriate switch is pushed to operate the electrode you wish to use. You can identify the correct button by the eye, face or body diagram. Note that you can only use one electrode at a time. It takes about 5 mins to heat up from cold.

7. Pulse mode – To select the pulsed wave mode, push the Pulse button. Numbers will appear in Pulse panel. To increase / decrease number on Pulse panel push arrow button beside Pulse button on panel. This will vary the speed of the pulses. Note that the Pulse mode will only operate when the small red/green light in 4 above is on red and is flashing.

Pulse mode allows the Ultrasonic function to operate without as much thermal (heat) activity as the constant mode. This mode may be selected for sensitive, vascular skins or around the eye area.

PRECAUTIONS ULTRASONIC

- Please make sure that a thorough consultation is carried out before commencing use of the Ultrasonic function. The standard contraindications to electrical therapies apply.
- Do not use the Ultrasonic electrode over the eyeball, within the eye socket area or over the abdomen.
- Always make sure that the skin is lubricated with a water-based serum, gel or similar medium. Water-based Ultrasound gel is suitable, or water based skincare products may be used.
- Do not allow the product on the skin to dry out during use.
- Do not use for too long, or at too high intensity, this could burn the skin. 10 minutes should be sufficient for the face. The client should feel no more than a gentle warming sensation. Do not allow the electrode to become hot.
- No visible action of the Ultrasonic is evident. If you wish to test the activity or speed of the function, put a few drops of water on the electrode surface. This will vibrate when the machine is working, and allow you to see the activity.

OPERATION ULTRASONIC

CLEANING AND MAINTENANCE:

After use, wipe any excess gel or product off the electrodes. The electrodes should not be immersed in water or cleaning fluids. Wipe over with a soft cloth dampened with warm soapy water. Dry thoroughly, then wipe with 70% alcohol or methylated spirits.

Do not drop the Ultrasonic electrodes, as this may permanently damage them.

TREATMENT METHODS ULTRASONIC

BENEFITS OF ULTRASONIC:

Ultrasound (Ultrasonic) is energy in the form of a wave vibration which is above the audible sound level.

Ultrasonic devices used in the Beauty industry use Low Frequency Ultrasonic waves operating at between 20 – 200 thousand cycles (vibrations) per second. Ultrasonic devices used in the Medical and Physiotherapy industries use much higher frequencies, operating at around 1 to 3 million cycles per second. Ultrasonic waves produce electrical stimulation which penetrates through the skin tissue to create a number of responses:

- Heat
- Stimulates circulation of blood supply and lymphatic systems.
- Micro-massage effect. This may improve the tone, texture and color of the skin, and may help to stimulate the skin's vital functions.

INDICATIONS FOR ULTRASONIC TREATMENT:

- Cellulite treatments
- Muscular aches and pains (provided there is no injury)
- Facial lines, wrinkles, crow's feet
- Prematurely aged or mature skins
- Dehydrated skins
- Dull, devitalized or sluggish skins
- Scarring
- Dark under-eye circles

Ultrasonic treatment may be included into a Facial treatment in place of, or before a traditional massage, or at the end of the treatment. It may also be used as a stand-alone treatment for areas of concern, or combined with other appropriate treatments.

A water based serum, ampoule or gel should always be applied first, then the electrode applied over the area. 10 minutes treatment for the face (including eye area) is sufficient. If treating a small area (eg eye area) up to 5 minutes may be appropriate. Body areas may require longer application (10 to 20 minutes), depending on the size of the area.

CONTRAINDICATIONS ULTRASONIC

- Pregnancy
- Breastfeeding
- Epilepsy
- Diabetes
- High blood pressure
- History of thrombosis, phlebitis or stroke
- Cancer/skin cancer
- Areas with numbness or a lack of normal skin sensation
- Metal pins, plates or implants in area of treatment
- Skin diseases/any inflammatory condition in the local area
- Allergies to metals
- Recent surgery to the area or recent scar tissue (allow 6-12 weeks healing)
- Ro-accutane patients
- Clients using topical Vitamin A therapy (Retin-A, Stieva-A, Differin)
- Recent chemical peels, laser treatments to the local area

Never use Ultrasonic devices over the following areas:

The eyeballs. Treatment may be applied to the lower eye contour but never inside the rim of the ocular bone or within the eye socket. **The abdomen** because of the vital organs contained in the cavity. **Bony areas** such as the shoulder blade, ankles, spinal column, head.

WARRANTY PERIOD

PERIOD AND DESCRIPTION	PRODUCTS
12 MONTHS PARTS & LABOR	All products
2 YEARS PARTS ONLY	All products excluding small electrical appliances
3 YEARS PARTS ONLY	All Linak electric actuators
5 YEARS PARTS ONLY	Taps cartridge, Ceramic basins

TERMS AND CONDITIONS

For more information about our terms and conditions including warranty, please refer to our website.

CLEANING

Refer to Cleaning and Maintenance of each function within this manual.

BEFORE CLEANING MAKE SURE THE UNIT IS DISCONNECTED FROM THE ELECTRICAL SUPPLY

The unit requires no special maintenance. If it becomes heavily soiled it can be wiped with a damp cloth containing a mild soap solution. Do not use large quantities of liquid as it may enter shade housing and affect electrical safety.

DO NOT USE ALCOHOL, SOLVENTS OR ABRASIVE CLEANERS, AS THEY WILL DAMAGE THE PLASTIC HOUSING. Do not use abrasive cleaners, as they will damage the product.

MAINTENANCE

A periodic inspection of all components and fasteners should be made to ensure that your product is structurally intact and functioning properly.

Damaged and broken parts should be replaced and loose fasteners tightened.

All maintenance to be carried out by a suitably qualified tradesperson.

comfortel

comfortel.com.au

PRODUCT CODE

#5427 4 IN 1 WITH LUMA MAG LAMP

VOLTAGE: 220V.50hz

POWER: 750W

MAG LAMP: SMD 48 LEDs. 20V DC 9W

Revision Date: 28.06.2018

©Comfortel Furniture 1997-2018. All rights are reserved.

No part of this document may be photocopied, reproduced or translated to another language without written consent of Comfortel Furniture Pty Ltd.

The information contained in this document is subject to change without notice and should not be construed as a commitment by Comfortel Furniture Pty Ltd.

Comfortel Furniture Pty Ltd. assumes no responsibility for any errors that may appear in this document nor does it make expressed or implied warranty of any kind with regard to this material, including, but not limited to, the implied warranties of merchantability and fitness for a particular purpose.

Comfortel Furniture Pty Ltd. shall not be liable for incidental or consequential damages in connection with or arising out of the use of this document and the program material.

PLEASE RETAIN THIS INFORMATION FOR FUTURE REFERENCE.

For more information about our products and services, contact us at comfortel.com.au

PURCHASE DATE

INVOICE NUMBER

NOTE YOUR PURCHASE DATE & INVOICE NUMBER FOR FUTURE REFERENCE