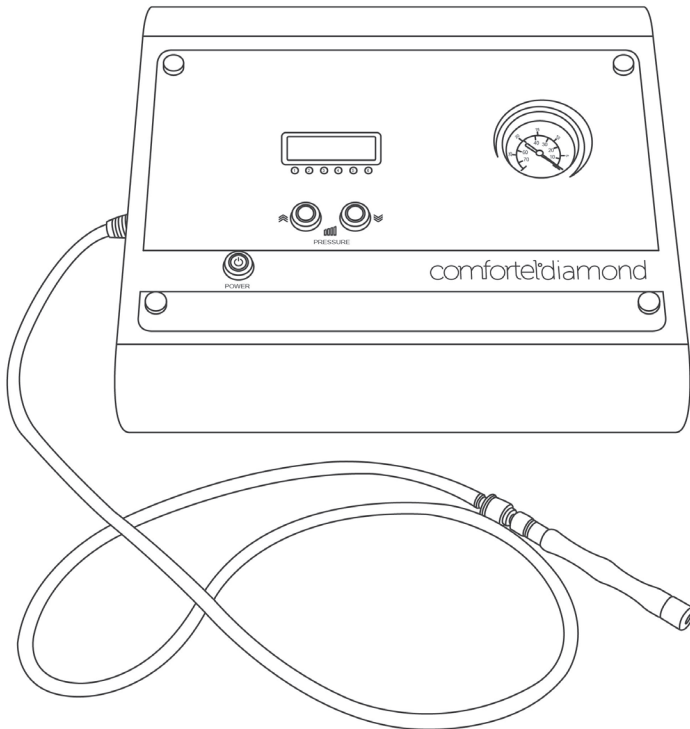


diamond microdermabrasion facial system

#5412 DIAMOND MICRODERMABRASION II



IMPORTANT PLEASE READ THESE SAFETY INSTRUCTIONS

GENERAL SAFETY

1. Read carefully and keep these instructions in a safe place.
2. Use this product only for its intended function and do not use attachments not recommended by the manufacturer.
3. Do not use outdoors.

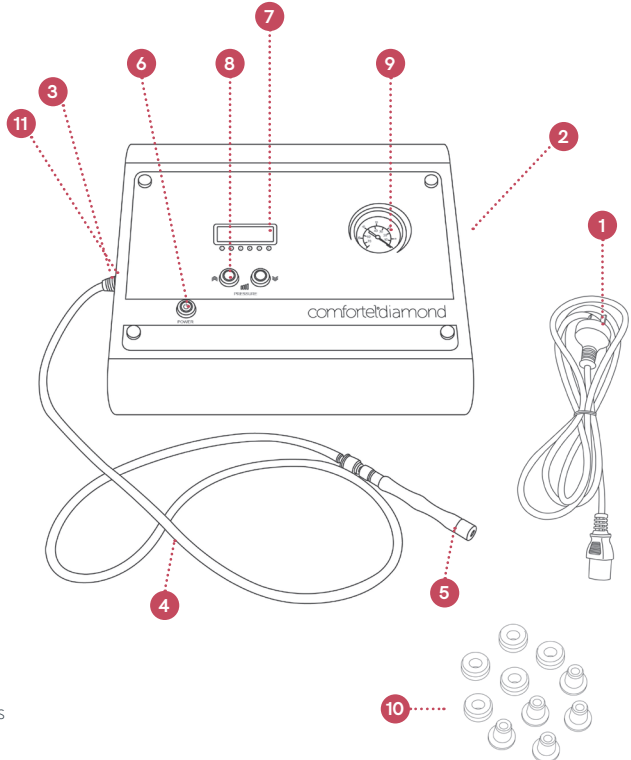
ELECTRICAL APPLIANCES

1. All GPO's must be installed by a qualified Electrician in accordance with local electrical standards.
2. DO NOT allow children to operate this product.
3. Turn the power off and remove the plug when not in use or when cleaning.
4. Do not let the power cord get damaged in any way.
5. Keep the power cord away from heat sources.
6. Do not use an extension cord unless the cord complies with local electrical safety standards.
7. Periodically inspect the power cord for signs of damage.
8. Do not operate any electrical item with a damaged power cord.

GET STARTED

DIAMOND MICRODERMABRASION II facial system

The Diamond Microdermabrasion system uses a combination of vacuum suction and diamond encrusted tips to lightly abrade the skin surface. This produces a deep-cleaning, smoothing and polishing effect on the skin and can be used to improve conditions such as acne, comedones, dull and devitalised skin, scarring, fine lines and wrinkles, pigmentation problems, enlarged pores and uneven skin texture. The suction also stimulates the circulation and lymphatic function of the skin, resulting in a fresh "glowing" appearance.



PARTS

1. Power cord
2. Power cord connection
3. Vacuum tube connection
4. Vacuum tube
5. Wand
6. Power ON/OFF button
7. Display screen (displays vacuum intensity settings)
8. Vacuum intensity adjustment buttons
9. Vacuum gauge
10. Diamond tips (2 sizes, 5 grits)
11. Filter

Width: 36cm Depth: 32cm Height: 13cm Weight: 5kg

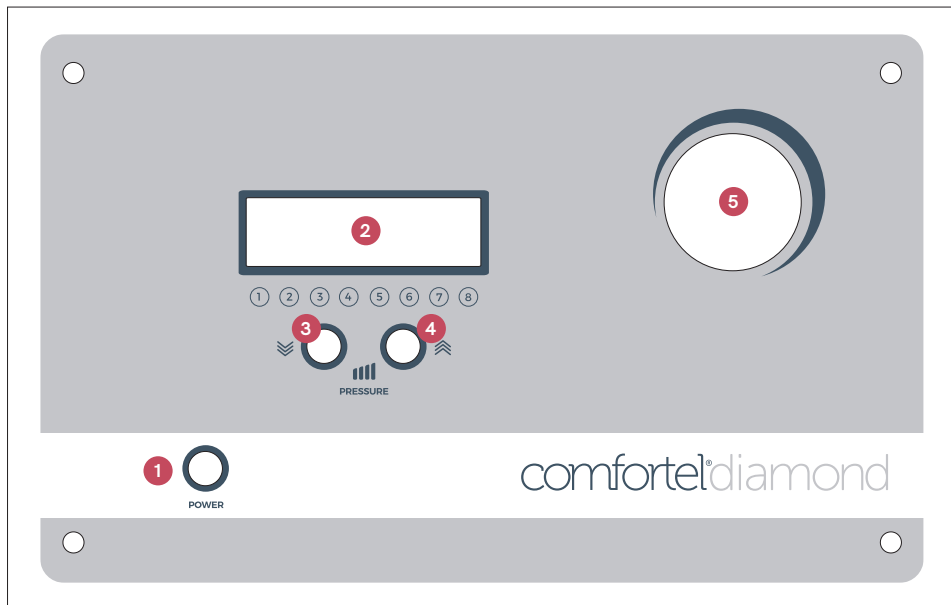
PRECAUTIONS

1. Always support the skin tissue with your other hand to avoid excessive friction and over-stretching the skin.
2. Do not apply excessive vacuum suction or hold the tip in one place for too long. This can cause bruising or capillary damage.
3. The use of excessive suction, friction and/or abrasion can cause grazing and injury to the skin.
4. Be very careful administering any peels or other product treatments directly after microdermabrasion. The abrasion of the skin surface can result in deeper penetration of product ingredients, potentially causing adverse reactions.
5. Clients who have had recent surgery or other cosmetic procedures like peels, laser etc may be very sensitive. Treat them with caution and if in doubt, consult their treatment provider.
6. Do not perform microdermabrasion inside the eye contour area.
7. The daily use of a broad-spectrum sun screen is recommended after any series of microdermabrasion (or peeling) treatments

OPERATION: MAIN CONTROL PANEL

1. Power On/Off button
2. Vacuum intensity display (Level 1 - 8)
3. Vacuum intensity down
4. Vacuum intensity up
5. Pressure gauge

DIAGRAM A



CAUTION: DO NOT USE IF FLEXIBLE CORD IS DAMAGED

ANY REPAIRS TO THIS UNIT MUST BE CONDUCTED BY A QUALIFIED ELECTRICIAN. TO REPAIR FLEXIBLE CORD, USE TWO CORE SHEATHED CABLE ONLY.

ASSEMBLY & OPERATION

SET UP AND OPERATING INSTRUCTIONS

1. Place the Diamond Microdermabrasion system on a stable trolley or benchtop.
2. Unscrew vacuum tube connection point (shown in Diagram B) and insert a filter into the cavity (see Diagram C). Replace the connection point and screw firmly into place.
3. Connect the vacuum tube to the connection point.
4. Attach the power cord to the power cord connection on the right side of the unit and connect cord to wall socket. Turn power on at wall socket.
5. Connect a wand to the free end of the vacuum tube.
6. Select the desired size and grit from the diamond tips.
7. Screw the diamond tip onto the wand end.
8. Press the Power ON/OFF button. The screen will illuminate and vacuum will start immediately.
9. The level of suction (levels 1 – 8, with 8 being strongest) may be adjusted as desired using the Intensity adjustment buttons .

DIAGRAM B

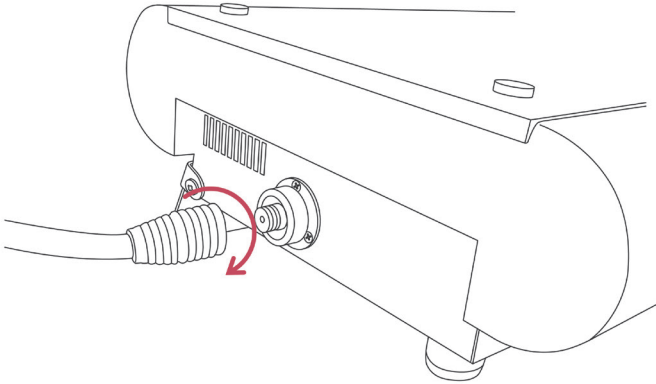
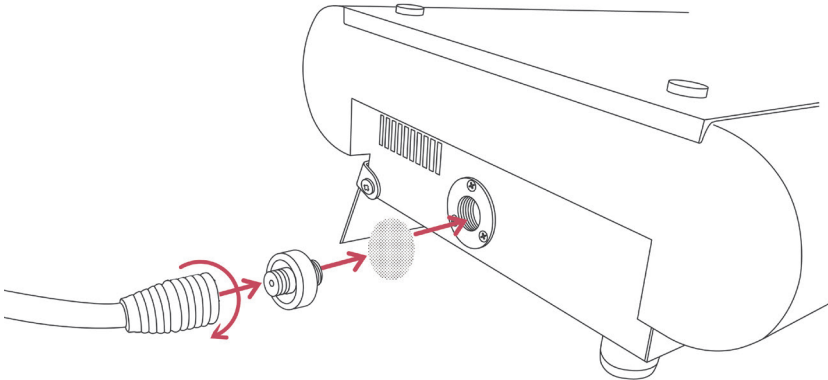


DIAGRAM C



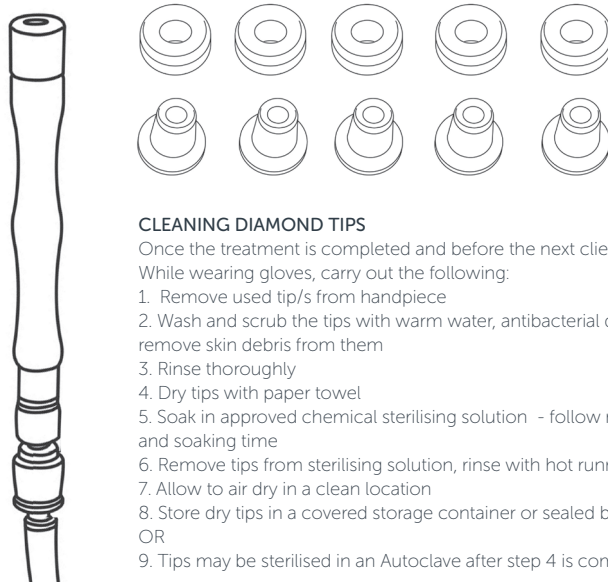
CLEANING & MAINTENANCE

CLEANING

Microdermabrasion is an extremely popular skin treatment. People undergo this procedure to remove impurities and fine lines and wrinkles from facial skin. The treatment is particularly effective on skin that has small bumps or blackheads. The process works by applying vacuum suction and abrasive particles (Diamond or Crystal) over the skin, which serve to remove some of the upper layers of the epidermis.

The dead skin cells, which end up inside the different parts of the microdermabrasion machine, make the hygiene of these gadgets extremely critical. The most important element that requires cleaning is the dermabrasion tip, as the dead cells usually accumulate inside this tiny component. All skin-care professionals and casual home users need to learn how to properly clean and sterilize dermabrasion applicators before re-using them.

1. Change the filter regularly. Build-up of debris inside the filter will affect the suction and may cause damage inside the unit.
2. Diamond heads **MUST** be sterilized after each treatment, before being re-used. Washing with soap and water only is **NOT** an adequate method of cleaning the tips before re-use, and may result in cross-contamination. We recommend initial cleaning with an alkaline detergent, water and a small bristle brush (to remove skin debris from the tips), followed by either autoclave or chemical sterilization.
3. The external surfaces of the unit may be wiped over with a soft cleaning cloth and warm soapy water or a mild non-abrasive surface cleaning agent.
4. Should any faults or problems occur, do not attempt to fix them yourself. Repairs should only be made by an approved electrical repairer. For any maintenance issues, contact your distributor.
5. Replacement parts: Extra filters, wands, diamond tips and suction tubes are available.



CLEANING DIAMOND TIPS

Once the treatment is completed and before the next client.

While wearing gloves, carry out the following:

1. Remove used tip/s from handpiece
 2. Wash and scrub the tips with warm water, antibacterial detergent and a toothbrush to remove skin debris from them
 3. Rinse thoroughly
 4. Dry tips with paper towel
 5. Soak in approved chemical sterilising solution - follow manufacturer directions for dilution and soaking time
 6. Remove tips from sterilising solution, rinse with hot running water
 7. Allow to air dry in a clean location
 8. Store dry tips in a covered storage container or sealed bag until required for next use
- OR
9. Tips may be sterilised in an Autoclave after step 4 is completed, if preferred.

GENERAL MAINTENANCE

A periodic inspection of all components and fasteners should be made to ensure that your product is structurally intact and functioning properly.

Damaged and broken parts should be replaced and loose fasteners tightened.

All maintenance to be carried out by a suitably qualified tradesperson.

TREATMENT METHODS

GENTLE SKIN-RESURFACING TREATMENT

Removes and exfoliates dull, dead skin cells, to reduce fine lines, acne scars and unwanted pigmentation

INDICATIONS:

- Rough, dull, flaky or devitalised skin
- Congested or break-out prone skin
- Ageing or sun-damaged skin
- Skin with excess oil, pigmentation or acne scarring

SUGGESTED FREQUENCY OF TREATMENT:

- 1 x fortnight for 6 treatments for intensive results.
- 1 x month for maintenance.

CLIENT PREPARATION:

- Remove all jewellery and protect client's hair with a cap or headband.
- Wash your hands and put gloves on.



STEP 1 CLEANSE & ANALYSE

Cleanse the skin

Put on clean gloves to start the treatment.

Analyse the skin. Make sure you look for the following:

How thick or thin, how sensitive, how vascular the skin is, if the skin is lax or loose, if it needs an intense or gentle treatment.

STEP 2 DIAMOND MICRODERMABRASION

Select a fresh (clean) tip, put it on the handpiece in front of the client

- *Select the level of abrasion based on the skin qualities.*
- *The finest (lowest abrasion) tip is numbered 250, and the most coarse (most abrasive) is 75.*
- *Use the larger size tips for the broader, fleshy areas of the face and the small size for smaller or curved areas eg around the nose, crease of the chin etc.*

Choose a low level of suction to start with

Start at the centre area of the chin & work outwards in slow sweeping movements

Support the skin with your other hand as you go

Adjust suction as required, and use multiple tips if needed

- *Higher level of suction and more coarse (more abrasive) tip for thicker or congested skins, acne scarring or more intense treatment*
- *Lower level of suction and finer (less abrasive) tip for thinner, sensitive, vascular skins or less intense treatment*

Cover each section of the face, working upwards and with outwards strokes where possible (encourages lymph drainage)

- *Make sure each sweep joins onto the last – don't miss patches.*
Don't treat inside the orbital rim (inside the area of the eye bones or under the brow)

Commence with a second pass if required (sweep the strokes in opposite direction to first pass)

- *A back and forth 'scrubbing' motion may be used for areas requiring extra attention (congested, scarred area)*
Take care not to over treat.

TREATMENT METHODS

STEP 3 DIAMOND REMOVAL & EXTRACTIONS

Remove debris from the skin with sponges/fibrella and water. Perform extractions if required.

STEP 4 HYDRATING MASK

Apply a mask of your choice to intensively hydrate and restore the skin. Apply to the face and neck. Any type of Cream, Gel, Clay, Collagen Fleece, Rubber or setting masks may be used, depending on skin type and products available. Eye masks can be included as an extra treatment option.

Remove mask after 15 minutes, using sponges or a warm aromatic towel.

FINAL HYDRATION

Apply small amount of Treatment Cream, Eye Cream and Sun Protection to finish.

BENEFITS AND INDICATIONS:

Diamond Microdermabrasion is used to deeply exfoliate the skin. The diamond tips are used under vacuum suction to lightly abrade the skin surface resulting in a smoother and clearer skin. Cellular functions and repair processes are stimulated, which can improve the skins overall appearance and health. Many conditions can be improved with Microdermabrasion, including:

- Dry, rough skin, uneven skin texture, enlarged pores
- Skins showing signs of aging, fine lines and wrinkles
- Dull and devitalized skins
- Scarring and surface irregularities
- Pigmentation
- Comedones, congestion, breakouts, acne and acne scarring
- Keratosis pilaris (red bumpy "rashy" skin condition often appearing on backs of arms, thighs, buttocks etc)
- Ingrown hairs

A course of 6-10 sessions is often recommended for best results. Treatments may be performed every 2-4 weeks, depending on the skin condition. Deeper or more severe conditions like scarring may require more treatments and/or additional modalities.

It is normal for the skin to exhibit some redness after treatment. This will settle within several hours for most people.

Some mild oedema (swelling or puffiness) may also be noticed. This is due to the mild inflammatory response caused by the suction and abrasion, and is not a concern. It actually causes a deep cellular response which promotes the stimulation of collagen and regeneration in the skin, thereby improving the structure and strength of the skin in the long-term. These are not complications, and should not cause any concern.

As long as correct sterilization procedures are observed, and treatments are not performed overly aggressively, it is rare for complications (such as injury or infection) to result from Microdermabrasion treatments.

CONTRAINDICATIONS

1. Clients currently using Ro-Accutane, or who have used Ro-Accutane in the last 6 months.
2. Clients with extremely thin, lax skin or highly vascular conditions, including active Rosacea.
3. Eczema/Dermatitis in the treatment area or any other skin where the barrier function has been impaired (allergic reactions, injury etc)
4. Active Herpes Simplex (cold sore) lesions.
5. Weeping, scabbed or crusted acne lesions, severely inflamed acne (eg cystic acne).
6. Open wounds, scabs or skin infections in the treatment area.
7. Tumours and skin cancer lesions.

WARRANTY PERIOD

PERIOD AND DESCRIPTION	PRODUCTS
12 MONTHS PARTS & LABOR	All products
2 YEARS PARTS ONLY	All products excluding small electrical appliances
3 YEARS PARTS ONLY	All Linak electric actuators
5 YEARS PARTS ONLY	Taps cartridge, Ceramic basins

TERMS AND CONDITIONS

For more information about our terms and conditions including warranty, please refer to our website.

comfortel

comfortel.com.au

PRODUCT CODE

#5412 DIAMOND MICRODERMABRASION

VOLTAGE: 220V.50hz 40W

Revision Date: 28.06.2018

©Comfortel Furniture 1997-2018. All rights are reserved.
No part of this document may be photocopied,
reproduced or translated to another language without
written consent of Comfortel Furniture Pty Ltd.

The information contained in this document is subject to change without notice and should not be construed as a commitment by Comfortel Furniture Pty Ltd.

Comfortel Furniture Pty Ltd. assumes no responsibility for any errors that may appear in this document nor does it make expressed or implied warranty of any kind with regard to this material, including, but not limited to, the implied warranties of merchantability and fitness for a particular purpose.

Comfortel Furniture Pty Ltd. shall not be liable for incidental or consequential damages in connection with or arising out of the use of this document and the program material.

PLEASE RETAIN THIS INFORMATION FOR FUTURE REFERENCE.

For more information about our products and services, contact us at comfortel.com.au

PURCHASE DATE

INVOICE NUMBER

NOTE YOUR PURCHASE DATE & INVOICE NUMBER FOR FUTURE REFERENCE